



WRK-LED-125 SERIES

LED WORK LAMP WITH CARBON ALLOY PLASTIC HOUSING



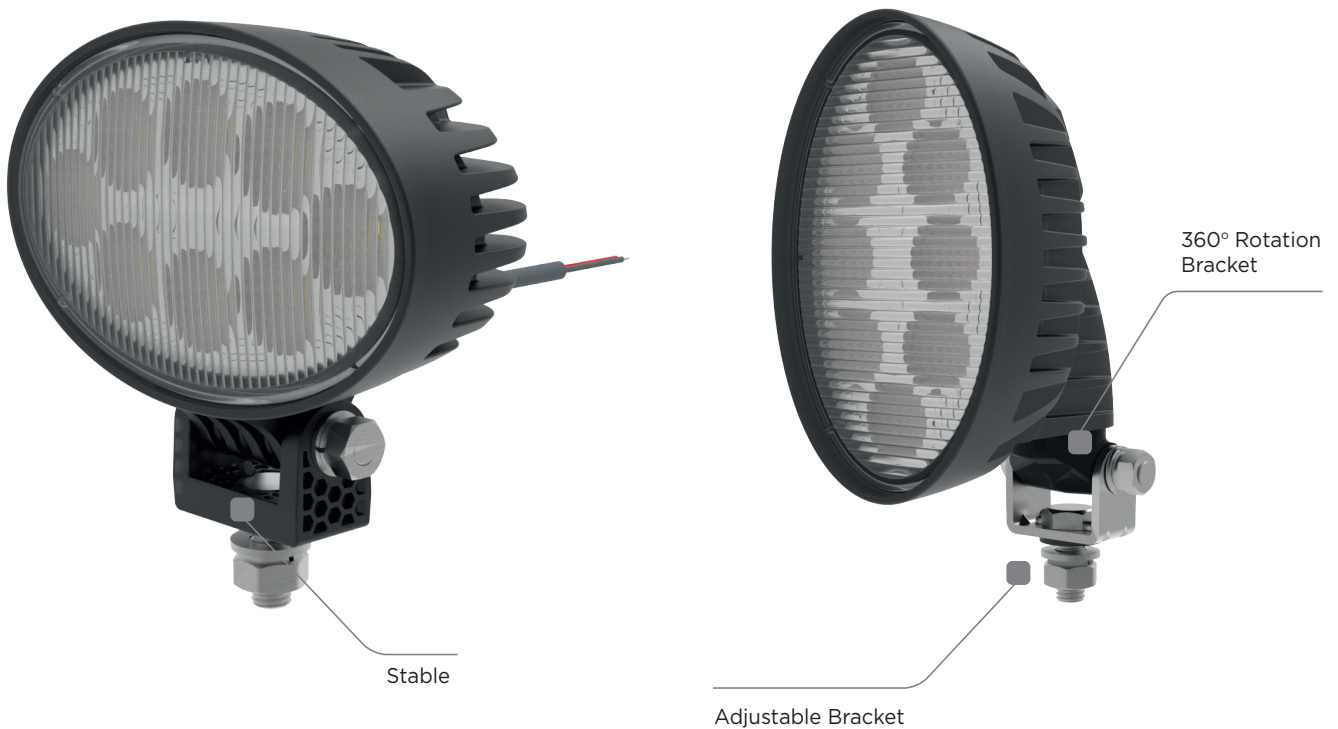
PRODUCT BENEFITS

- Ideal for various types of Vehicles and Applications
- Plastic housing design which extends product lifetime due to better heat dispersion
- High Intensity Work Lamp
- Light-Weight Plastic Housing
- Rotatable bracket up to 360 degrees
- Carbon Alloy Plastic anticorrosion Housing
- Multivoltage 12-24V
- IP69 Protection

CONNECTION LAYOUT



STABLE OR ROTATABLE HOUSING



TECHNICAL SPECIFICATIONS

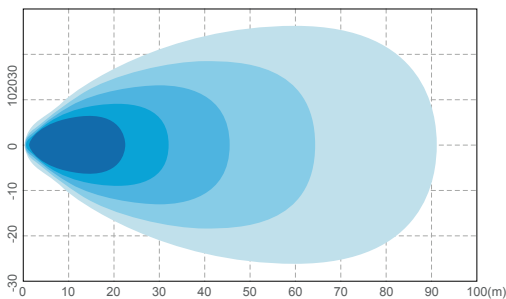
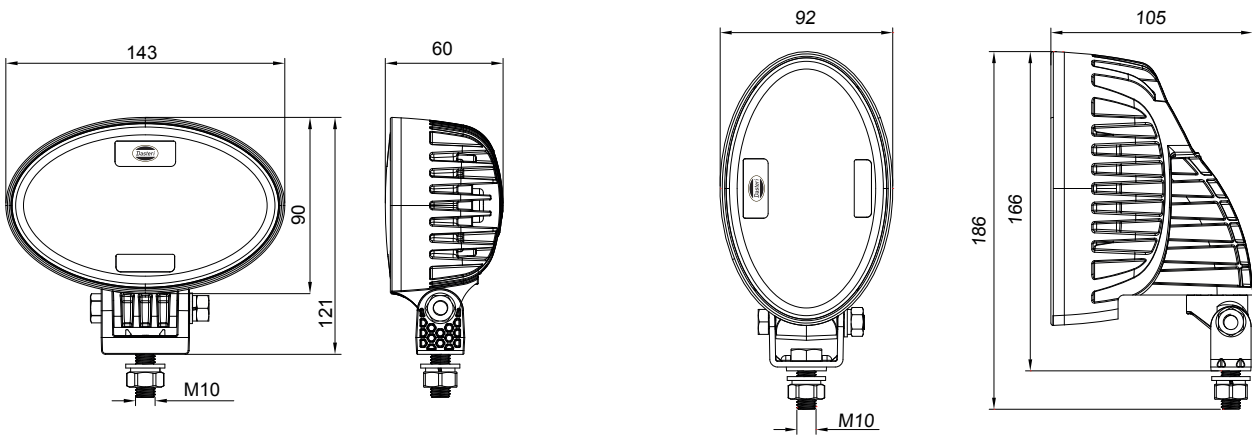
TECHNICAL DATA

Variants	WRK-LED-125	WRK-LED-125DT	WRK-LED-125R	WRK-LED-125RDT
Operating Voltage	10 V - 30 V			
Reverse Polarity Protection	Yes			
Light Function	LED Work Light			
Consumption	40 W			
Temperature Range	- 40°C to + 65°C			
Type of Housing	Regular Housing	Regular Housing	Rotatable Housing	Rotatable Housing
Material	Lens	PC		
	Housing	Plastic		
Type of Protection	IP69			
Approvals	EMC	R10-06		
	CISPR 25	Class 3		
Lumen Output	Raw	5200 lm		4000 lm
	Connection Specification	Cable Output 300mm length	Deutch Connector integrated 2 pin connector	Cable Output 300mm length

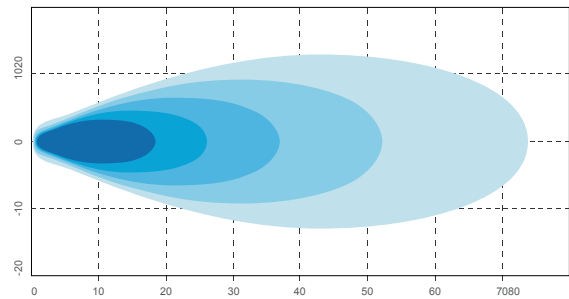
CODES OVERVIEW

Variants Ref. No.	Regular base	Rotated Base	Cable Output	Deutsch Connector
WRK-LED-125	●		●	
WRK-LED-125R		●	●	
WRK-LED-125DT	●			●
WRK-LED-125RDT		●		●

DIMENSIONAL DRAWING



Beam pattern: Flood
Illuminance (LUX)



Beam pattern: Flood
Illuminance (LUX)

