



WRK-LED-85 SERIES

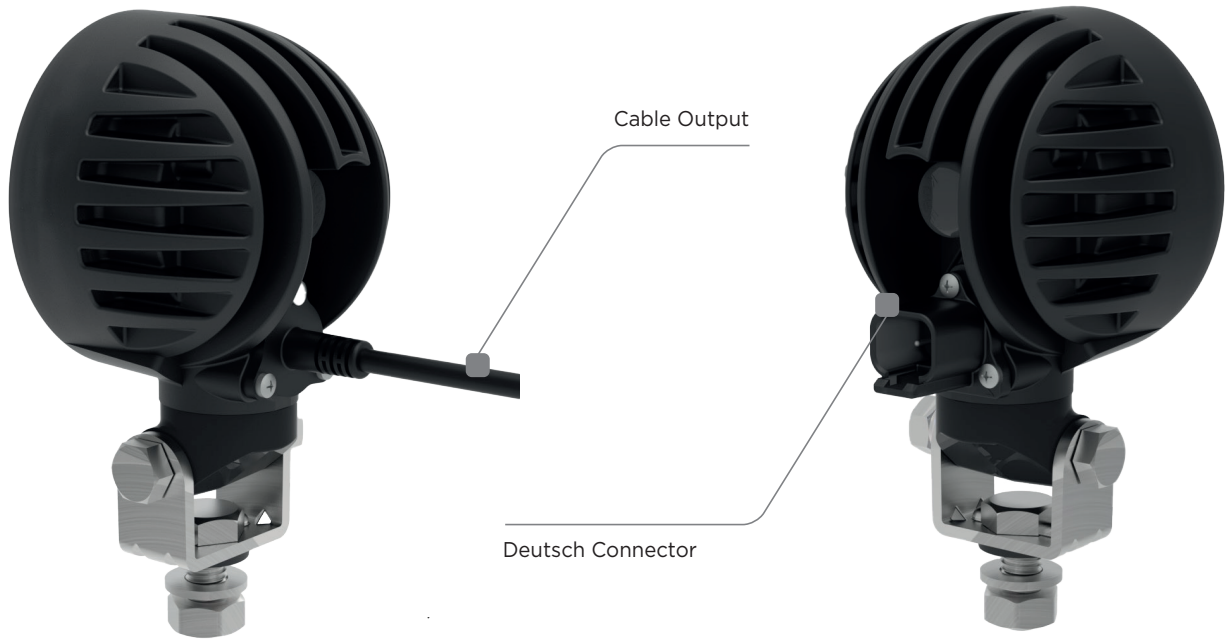
LED WORK LAMP WITH CARBON ALLOY PLASTIC HOUSING



PRODUCT BENEFITS

- Ideal for various types of Vehicles and Applications
- Plastic housing design which extends product lifetime due to better heat dispersion
- High Intensity Work Lamp
- Light-Weight Plastic Housing
- Rotatable bracket up to 360 degrees
- Carbon Alloy Plastic anticorrosion Housing
- Multivoltage 12-24V
- IP69K Protection

CONNECTION LAYOUT



STABLE OR ROTATABLE HOUSING

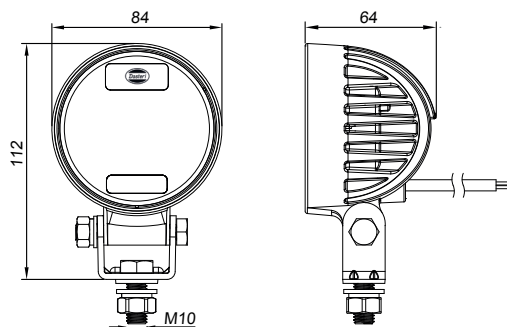
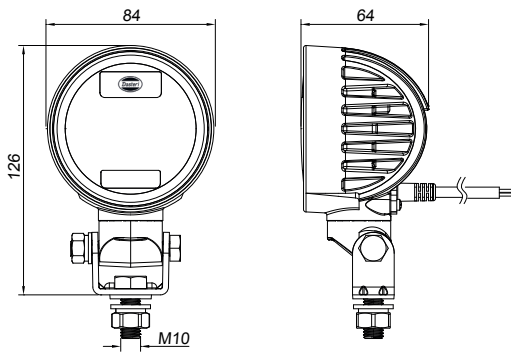


TECHNICAL SPECIFICATIONS

TECHNICAL DATA

Variants	WRK-LED-85	WRK-LED-85DT	WRK-LED-85R	WRK-LED-85RDT
Operating Voltage	10 V - 30 V			
Reverse Polarity Protection	Yes			
Light Function	LED Work Lamp			
Consumption	20 W			
Temperature Range	- 40°C to + 65°C			
Type of Housing	Regular Housing	Regular Housing	Rotatable Housing	Rotatable Housing
Material	Lens	PC		
	Housing	Plastic		
Type of Protection	IP69K			
Approvals	EMC	R10-06		
	CISPR 25	Class 3		
Lumen Output	Raw	2000 lm		
Type of Connection	Connection	Cable Output	Deutch Connector	Deutch Connector
	Specification	300mm length	Integrated 2 pin Connector	Integrated 2 pin Connector

DIMENSIONAL DRAWING



CODES OVERVIEW

Variants Ref. No.	Regular base	Rotated Base	Cable Output	Deutch Connector
WRK-LED-85	•		•	
WRK-LED-85R		•	•	
WRK-LED-85DT	•			•
WRK-LED-85RDT		•		•

