



# DSL-495 SERIES

## NEW LED BEACON



## PRODUCT BENEFITS

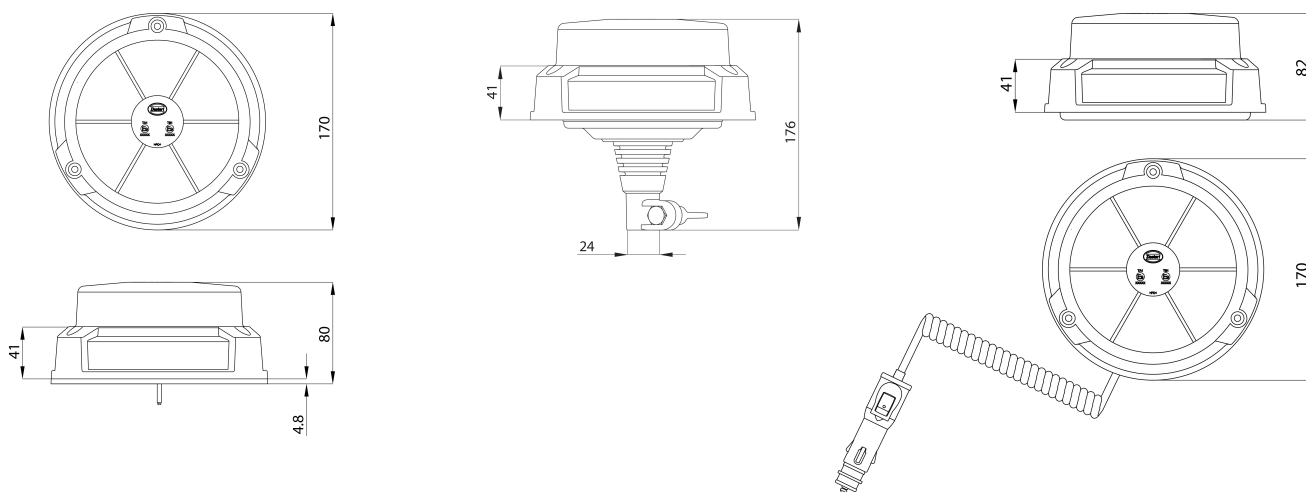
- Attractive EU design
- Multivoltage 10-30V
- Compact aluminum housing
- Impact resistant lens made of Polycarbonate
- IP67 Protection
- Multiple mounting concepts (Flat, Flexible, Magnetic)
- Can be synchronized with up to 4 beacons
- EMC Approved (option for CISPR 25 Class 5)
- Universal mounting holes
- 4 Flashing Patterns (ECE approved)
- 12 Powerful LEDs
- Flexible base can absorb impacts

# TECHNICAL SPECIFICATIONS

## TECHNICAL DATA

Operating Voltage		10 V - 30 V DC			
Reverse Polarity Protection		Yes			
Max. Consumption		7,5 W - 11 W (Depending on flashing frequency)			
Temperature Range		- 40°C to + 65°C			
Type of Mounting		Screw Fastening / Pipe Fastening / Magnetic Attach			
Material	Lens	PC			
	Housing	Aluminum			
Type of Protection		IP67			
Approvals	ECE	R65	R65		
		TA1	TB1		
		00	00		
	EMC	R10-06			
Type of Connection	Standard Versions	Open Cable Wires			

## DIMENSIONAL DRAWING



## CODES SERIES DSL-495 OVERVIEW

Variants Ref. No.	Flat	Flexible	Magnetic	Amber	Red	Blue
DSL-495.05	•			•		
DSL-495.06	•				•	
DSL-495.08	•					•
DSL-495FL.05		•		•		
DSL-495FL.06		•			•	
DSL-495FL.08		•				•
DSL-495M.05			•	•		
DSL-495M.06			•		•	
DSL-495M.08			•			•